



60" x 30" ADA tile seated bath/shower w/grab bars

71140115

Accord®



MATERIAL STRENGTH.
PROVEN PERFORMANCE...

Features

- 17-1/4 (438 mm) apron.
- Pivot snap-together modular design.
- Tile look.
- Corner shelves.
- Factory-installed stainless steel grab bars.
- Bath seat on right.

Material

- Made from solid Vikrell® material for strength, durability, and lasting beauty.

Installation

- Alcove.
- Left drain.
- Caulk-free installation.

Recommended Products/Accessories

- K-23726 Drain treatment
- K-23723 Faucet cleaner
- K-23733 Vikrell® cleaner

Included Components

Product consists of:

- 71144113 60" x 30" ADA tile wall set w/ grab bars
- 71141114 60" ADA seated bath



ADA



Codes/Standards

- CSA B45.5/IAPMO Z124
- ASTM E162
- ASTM E662
- ADA
- ICC/ANSI A117.1
- HUD, UM Bulletin 73

See website for detailed warranty information.

Available Colors/Finishes

Color tiles intended for reference only.

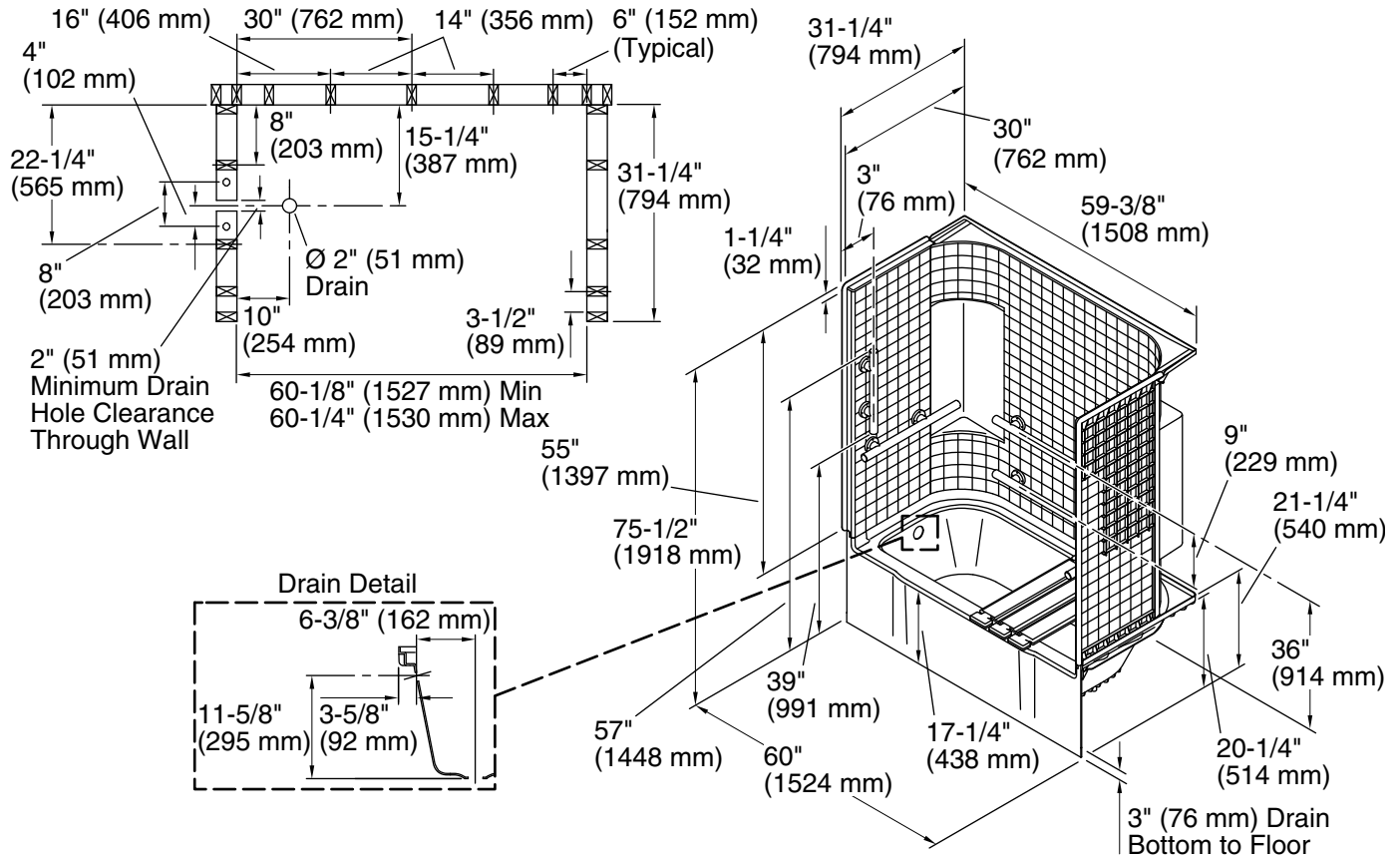
Color	Code	Description
	0	White
	96	KOHLER Biscuit

1-800-STERLING (1-800-783-7546)

Kohler Co. reserves the right to make revisions without notice to product specifications.

For the most current Specification Sheet, go to www.sterlingplumbing.com.

5-29-2021 07:30 - US/CA



Technical Information

All product dimensions are nominal.

Installation:	Three-wall alcove
Drain location:	Left
Basin area, bottom:	46-1/4" x 20-1/2" (1175 mm x 521 mm)
Basin area, top:	52-1/4" x 22-1/2" (1327 mm x 572 mm)
Water depth:	11" (279 mm)
Water capacity:	34 gal (128.7 L)
Maximum door height:	56-3/4" (1441 mm)
Maximum door width:	56-1/2" (1435 mm)

Notes

- Install this product according to the installation instructions.
- Product is designed to be used with a single-hole mixer valve with an escutcheon cover not to exceed 7-3/4" (197 mm) in width.
- Studs should be positioned roughly as shown. Double studding is recommended for pivot shower door installations.
- Bath cannot be installed without the wall surround.
- Width of back wall at the top transitions from 60" (1524 mm) at the front to 59-3/8" (1508 mm) in the back corners. Furring strips approximately 1/4" (6 mm) thick should be used at the back corner studs if drywall is to be installed over the nailing flange.
- ADA compliant when installed to the specific requirements of these regulations.